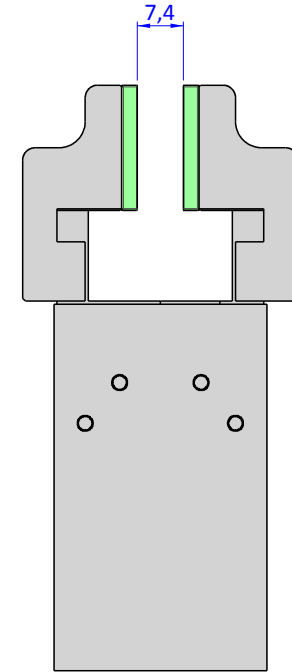
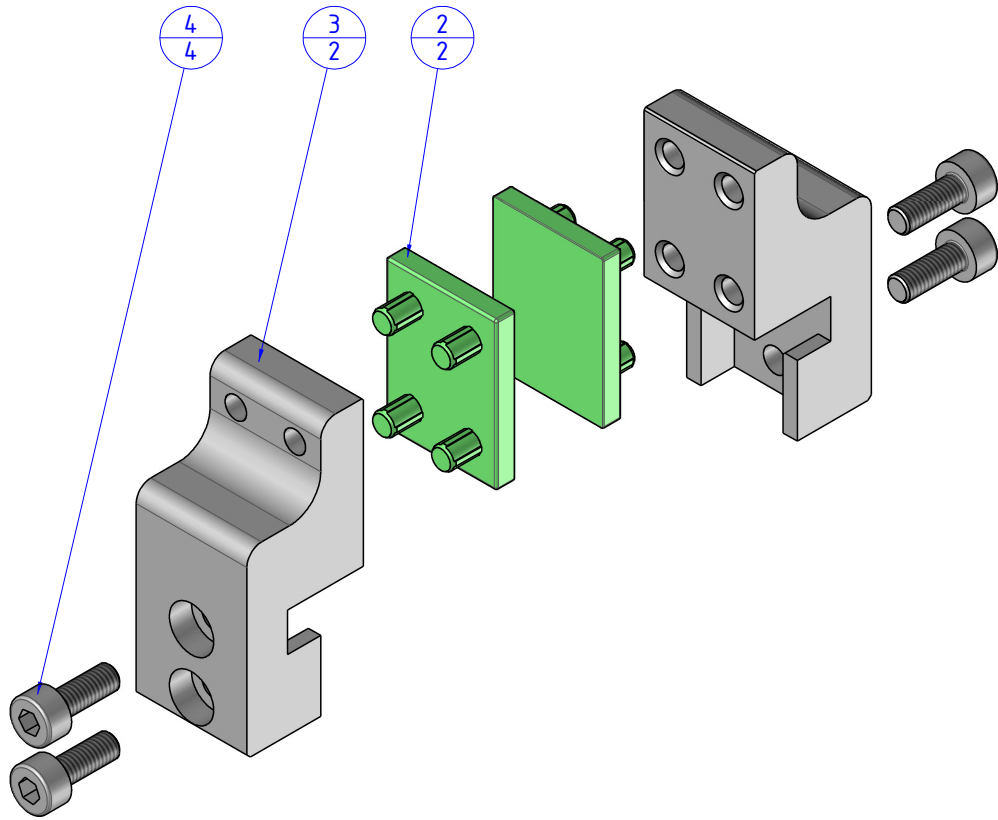
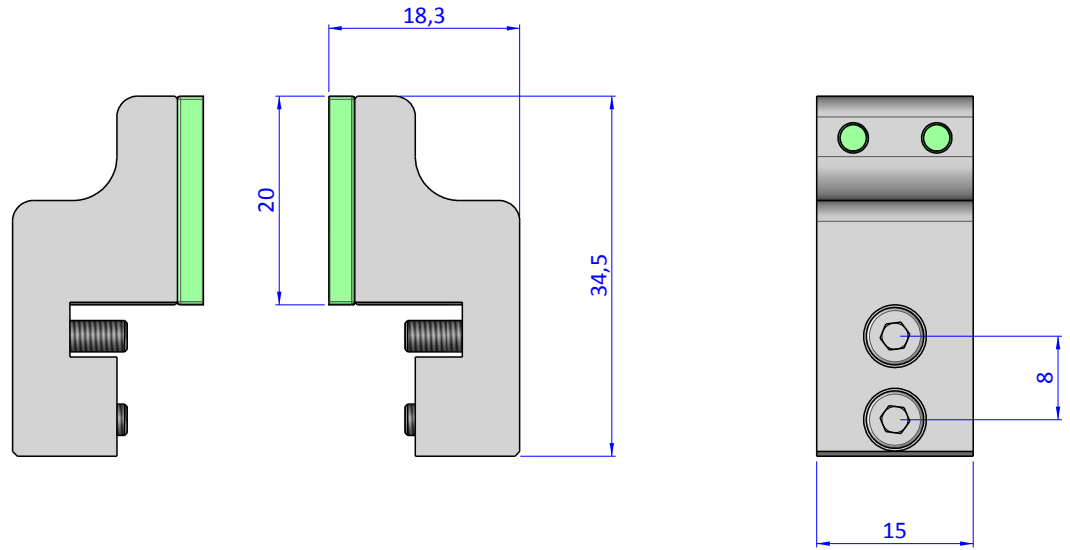


THE PROPERTY OF THE DRAWING IS ESTABLISHED BY LAW. IT IS FORBIDDEN TO PRODUCE OR SHOW IT TO THIRD PARTY, WITHOUT A WRITTEN AGREEMENT.

Item	Name	Q. ty
1	GRF20.95.08	2
2	GRF20.95.08.V	2
3	KB.16.CGP	2
4	V.TCE3x8	4



Format A3

UNI 936-76

		DESIGNED FROM	REVIEW
		FP SERVICES	A / 10
GENERAL TOLERANCE	DESCRIPTION	DATE	WEIGHT
UNI - ISO 2768	CA.KB.16.CGP	26/09/2018	0,025kg
CLASSE f		CODE	CA.KB.16.CGP